

Model SBH

Precision Portable Digital Pressure Gauge

Description

The SBH is a portable digital pressure gauge featuring accuracy 0.25%FS, multiple measurement units, Min./Max. readings, auto zero and automatic power off to conserve battery(AAA size) power. Also, a backlight provides improved visibility under poor lighting conditions. The SBH will operate with any liquid and gas that is compatible with 316L stainless steel. With Aluminum Die casting housing and Protection Rate IP65 are ideal in poor surroundings.

Features

- ▶ CE Certified
- ▶ Die casting housing
- ▶ Measuring range 0~500MPa
- ▶ $\pm 0.25\%FS$, $\pm 0.5\%FS$ Accuracy , -10 to 50°C
- ▶ Large, easy to read display & Backlight Unit
- ▶ 10 selectable pressure units (MPa, mbar, bar, mmH₂O, inHg, mmHg, kgf/cm², atm, psi, kPa)
- ▶ Peak, Auto power off, Auto Zero



Applications

- ▶ Portable Field Calibration & Calibration Labs.
- ▶ Process monitoring & Control
- ▶ Valve & Regulator Test
- ▶ Leak Test

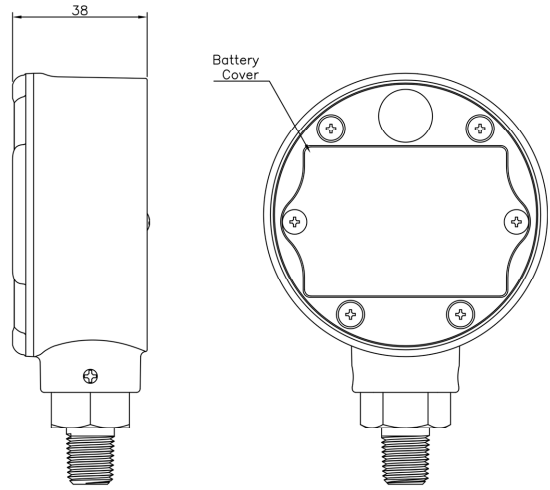
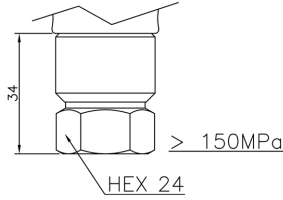
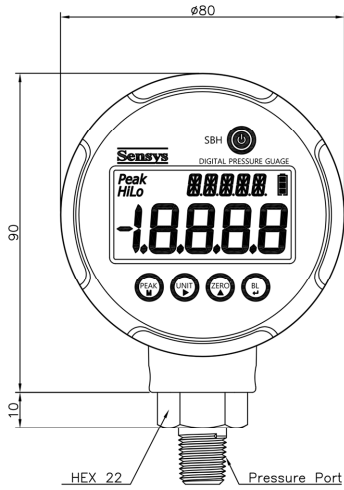
Specifications

Range	0~35kPa ... 70MPa(Gauge) -100kPa~0 ... 3.5MPa(Gauge) 0~35kPa ... 70MPa(Absolute)	0~71 ... 500MPa(Gauge)
Accuracy	$\pm 0.25\%FS \pm 1$ digit	$\pm 0.5\%FS \pm 1$ digit
Thermal Effect on Zero	$\pm 0.03\%FS / ^\circ C$	$\pm 0.05\%FS / ^\circ C$
Thermal Effect on Span	$\pm 0.03\%FS / ^\circ C$	$\pm 0.05\%FS / ^\circ C$
Compensated Temperature Range	-10~50°C	
Operating Temperature Range	-20~70°C	
Display	± 5000 Backlight LCD	
Excitation	1.5V(AAA Size) Alkaline Battery $\times 3$	
Display Time	1, 2, 5, 7, 10 time/sec	
Function	Unit Conversion, Peak, Auto Power Off, Auto Zero	
Proof Pressure	X3 or 140MPa ¹⁾	$\leq 150MPa$: X1.5 or 150MPa ¹⁾ $> 150MPa$: X1.5 or 500MPa ¹⁾
Burst Pressure	X4 or 210MPa ¹⁾	$\leq 150MPa$: X2 or 150MPa ¹⁾ $> 150MPa$: X2 or 600MPa ¹⁾
Pressure Port	R(PT)1/4", G(PF)1/4", NPT1/4", 9/16-18 UNF(F) (Only $> 150MPa$)	
Media-Wetted Materials	SS316L	SS316L, Ti 87%
Protection	IP65	
Weight	Approx. 350g	

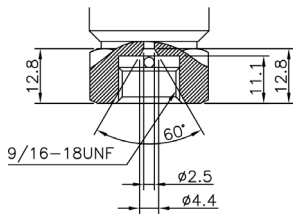
¹⁾ Whichever is less.

Dimension

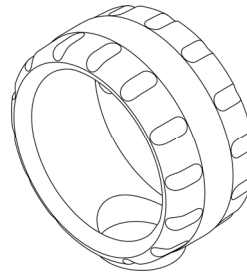
▶ Out Dimension



▶ Pressure Port(> 150MPa)



▶ Option



Protection Cover

Ordering Information

Model Name	SBH	A	0100	R	D	G
Output	<p>A : None</p>					
Pressure Range	<p>XXXX : Pressure CXXX : Compound Pressure</p>					
Type of Pressure Measurement	<p>G : Gauge J : Absolute</p>					
Pressure port	<p>C : R(PT)1/4" D : G(PF)1/4" L : NPT1/4" K : 9/16-18 UNF(F) (Only > 150MPa)</p>					
Pressure Unit	<p>R : kPa M : MPa</p>					